

MATERIAL

Aluminium bar.

STANDARD EXECUCION

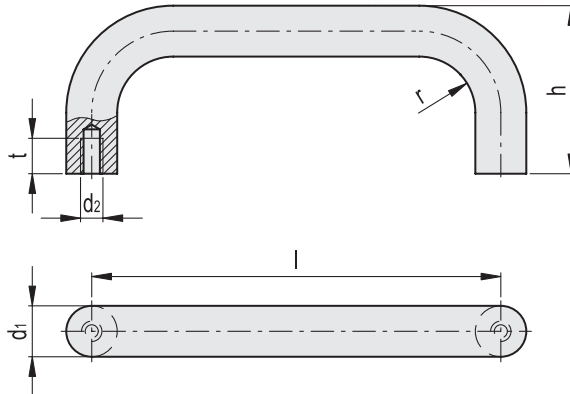
Threaded blind holes.

Surface finish index:

- **BL**: natural colour.
- **SW**: epoxy resin coating, RAL 9005 black colour, matte finish.
- **SR**: epoxy resin coating, RAL 9006 silver colour, matte finish.

SPECIAL EXECUCIONS ON REQUEST

Different lengths.



Conversion Table	
1 mm = 0.039 inch	
mm	inch
200	7.87
300	11.81
400	15.75

Code	Description	d1	±0.25	d2	h	r	tmin	⚖️
GN.26810	GN 426-AL-20-200-BL	20	200	M8	68	22	15	240
GN.26815	GN 426-AL-20-250-BL	20	250	M8	68	22	15	280
GN.26822	GN 426-AL-20-300-BL	20	300	M8	68	22	15	330
GN.26826	GN 426-AL-20-350-BL	20	350	M8	68	22	15	375
GN.26831	GN 426-AL-28-250-BL	28	250	M10	78	32	15	290
GN.26844	GN 426-AL-28-300-BL	28	300	M10	78	32	15	350
GN.26850	GN 426-AL-28-350-BL	28	350	M10	78	32	15	375
GN.26854	GN 426-AL-28-400-BL	28	400	M10	78	32	15	415
GN.26811	GN 426-AL-20-200-SW	20	200	M8	68	22	15	240
GN.26816	GN 426-AL-20-250-SW	20	250	M8	68	22	15	280
GN.26821	GN 426-AL-20-300-SW	20	300	M8	68	22	15	320
GN.26827	GN 426-AL-20-350-SW	20	350	M8	68	22	15	375
GN.26832	GN 426-AL-28-250-SW	28	250	M10	78	32	15	290
GN.26845	GN 426-AL-28-300-SW	28	300	M10	78	32	15	330
GN.26851	GN 426-AL-28-350-SW	28	350	M10	78	32	15	375
GN.26855	GN 426-AL-28-400-SW	28	400	M10	78	32	15	415
GN.26812	GN 426-AL-20-200-SR	20	200	M8	68	22	15	240
GN.26817	GN 426-AL-20-250-SR	20	250	M8	68	22	15	280
GN.26824	GN 426-AL-20-300-SR	20	300	M8	68	22	15	330
GN.26828	GN 426-AL-20-350-SR	20	350	M8	68	22	15	375
GN.26833	GN 426-AL-28-250-SR	28	250	M10	78	32	15	290
GN.26846	GN 426-AL-28-300-SR	28	300	M10	78	32	15	350
GN.26852	GN 426-AL-28-350-SR	28	350	M10	78	32	15	375
GN.26856	GN 426-AL-28-400-SR	28	400	M10	78	32	15	415

METRIC

Handles